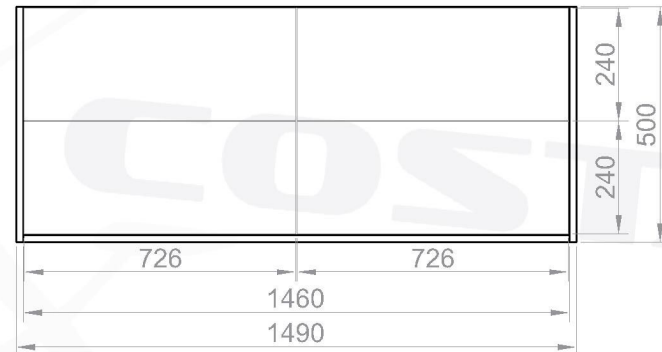
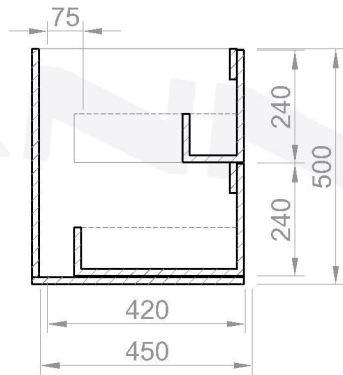
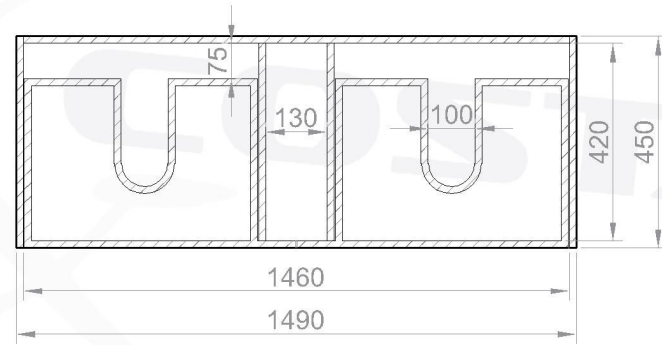
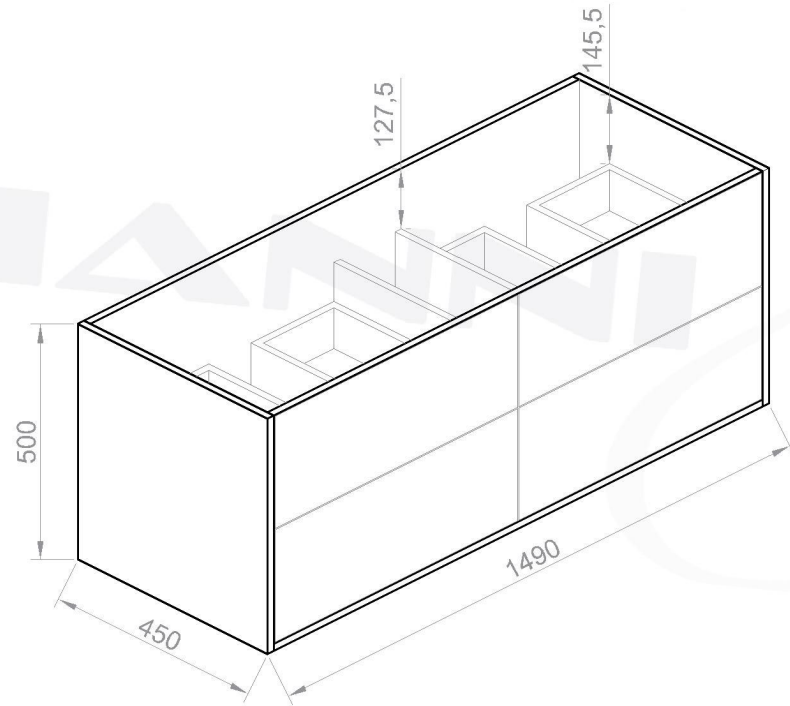
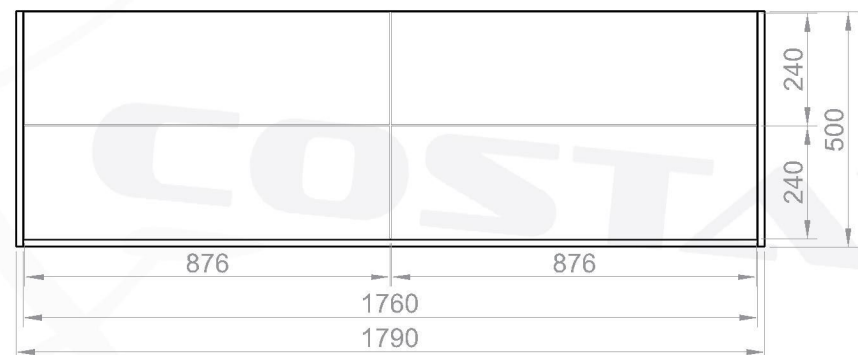
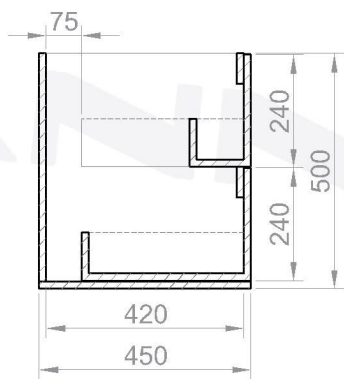
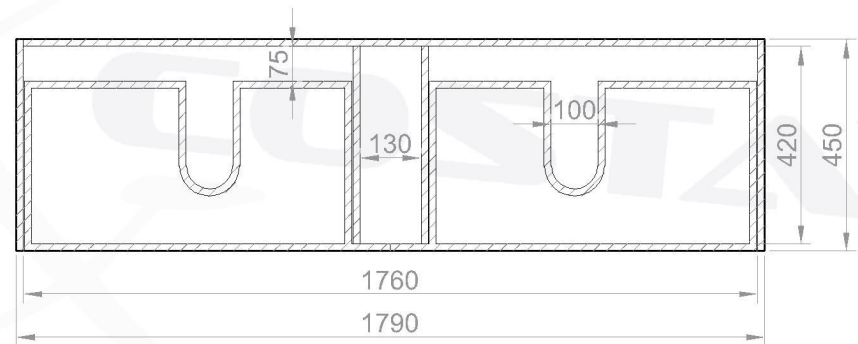
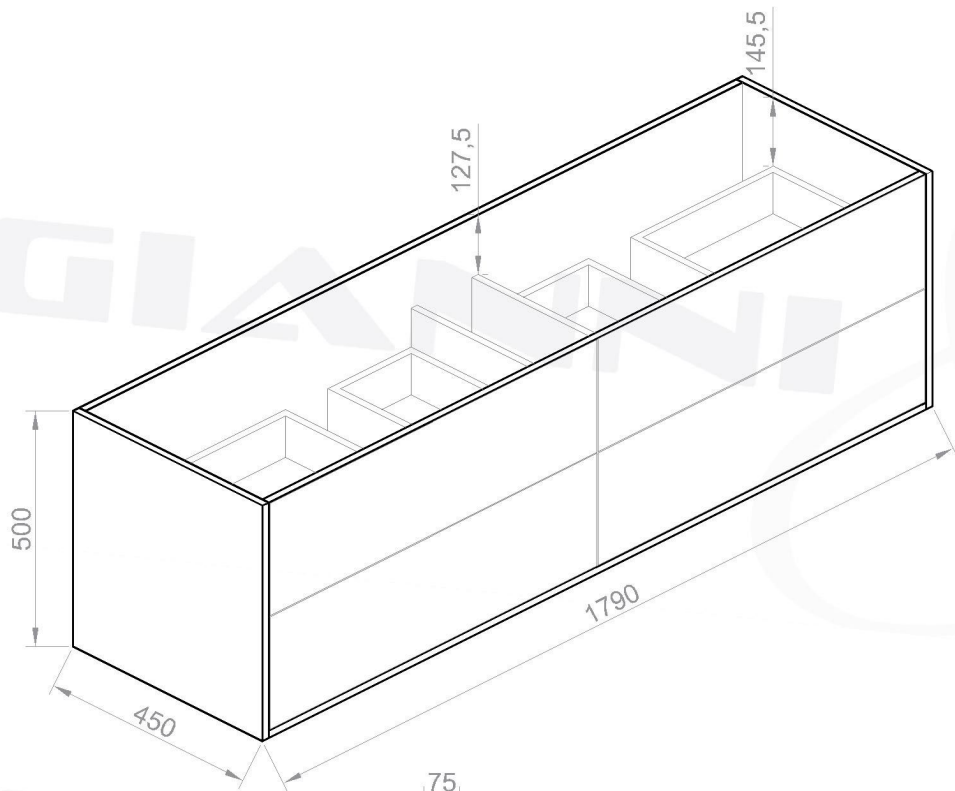


Note: Cut-out centre distance will be set according to basin option.



Note: Cut-out centre distance will be set according to basin option.



Note: Cut-out centre distance will be set according to basin option.